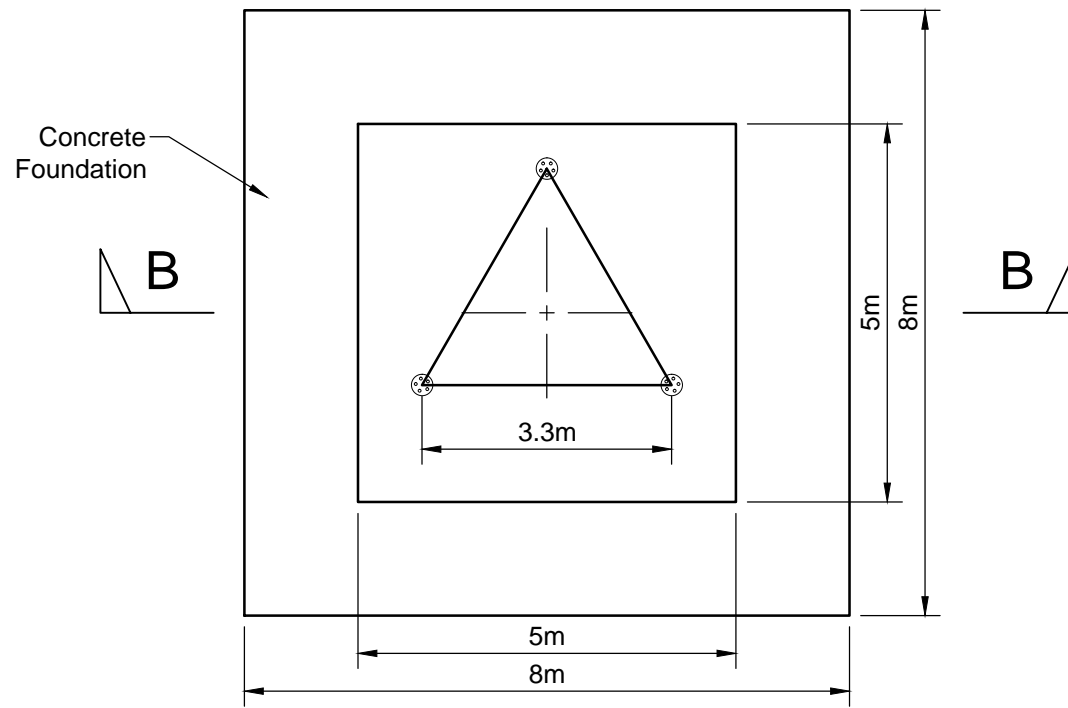
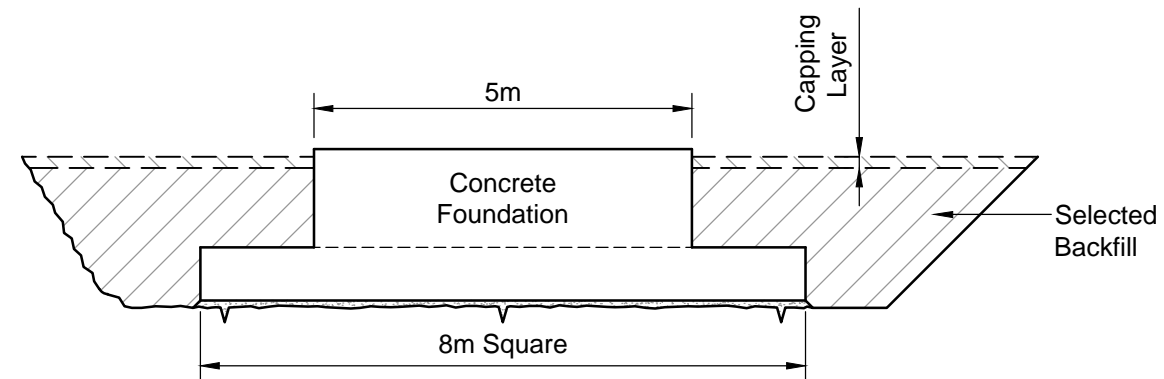


**ANEMOMETER MAST ELEVATION**  
Scale: 1:500 @ A3



**SECTION A-A**  
Scale: 1:100 @ A3



**SECTION B-B**  
Scale: 1:100 @ A3

**Notes**

1. Dimensions are indicative only.

Scale 1:100 @ A3



Scale 1:500 @ A3



**Figure 4.6**  
**Typical Met Mast Elevation and Foundation**